

SMART EXPANSION,  
FLEXIBLE SWITCHING  
OF LIGHTS

# Switch Actuator for DIN rail mount – 4 channels

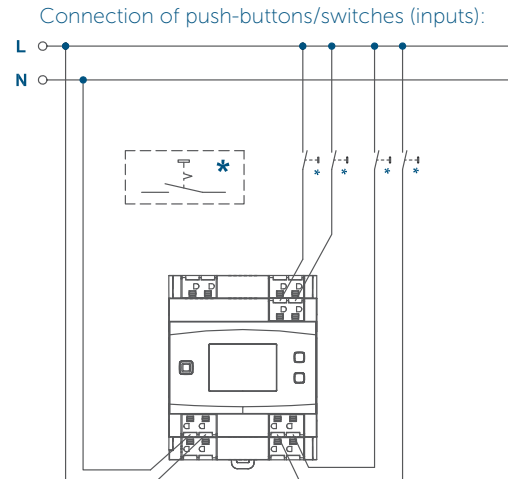
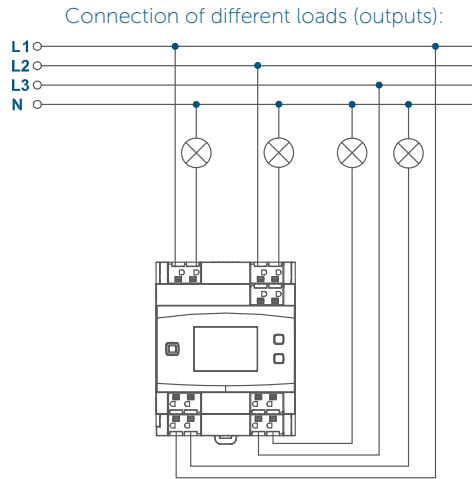
HmIP-DRSI4

Switches up to four channels from the distribution board: The solid housing design offers professional and easy installation to standard DIN rails. A wide range of control options are then available directly via standard 230 V push-buttons, wirelessly via Homematic IP buttons or remote controls, and even via the smartphone app at any time.



Certified by VDE

homematic <sup>IP</sup>  
Smart Living, Simply Exciting.



## SUITABLE FOR MANY CONNECTED LOADS

- ✓ ohmic loads (16 A per channel)
- ✓ incandescent lamps (1500 W per channel)
- ✓ self-ballasted lamps (LED/compact fluorescent lamp) (200 W per channel)
- ✓ HV halogen lamps (1500 W per channel)
- ✓ LV halogen lamps with electronic transformer or iron core transformer (1500 W per channel)
- ✓ fluorescent lamps (uncompensated or parallel compensated) (1500 W per channel)
- ✓ electronic radiators and electric heating systems (8 A, 200,000 switching cycles per channel)

## SMART LIGHT CONTROL

Conveniently switch up to four connected lights via independent channels on and off, for the perfect ambient lighting in your smart home.

## EASY TO INSTALL

Mounting to standard DIN rails is particularly easy using the spring tension clamps and connectors supplied. Each channel can be assigned to a different phase, thereby enabling the independent control of each individual channel. Even without programming, the function and cabling can be checked directly on the device during installation thanks to the illuminated display and the device buttons.

## FLEXIBLE OPERATION

Connected lights can be controlled flexibly via wireless push-buttons or remote controls as well as the Homematic IP app at any time, using time profiles for example. Also manual operation via conventional wired push buttons is possible.

## ADDED VALUE FOR A SMART HOME

Also suitable for expansions of the building (e.g. attics) and retrofitting. Easy installation into the distribution board. No intervention is required on the existing installation within the room. Existing switches and buttons can simply continue to be used. Ideal to replace trigger impulse switches.

Operation requires connection to one of the following solutions:

- Homematic IP Access Point with free smart-phone app and free cloud service
- Third-party solutions of partners

## TECHNICAL SPECIFICATIONS

Supply voltage	230 V~/50 Hz
Standby power consumption	280 mW typically (display lights off)
Relay	NO contact, 1-pole, $\mu$ contact, bistable
Switching voltage	230 V~
Current carrying capacity (device):	$\Sigma$ 64 A
Cable type and cross section	rigid and flexible cable, 1.5-2.5 mm <sup>2</sup>
Installation	on a mounting rail (DIN rail) according to EN 60715
Degree of protection	IP20
Ambient temperature	-5 to +40 °C
Dimensions (W x H x D)	72 x 90 x 69 mm (4 WM width)
Weight	221 g
Radio frequency band	868.0-868.6 MHz 869.4-869.65 MHz
Typ. open area RF range	190 m

## LOGISTICAL DATA

Product reference	154431A0
EAN code	4047976544318
Short description	HmlP-DRSI4
Packing unit	45
Packing dimensions	122 x 112 x 97 mm
Weight incl. packaging	392,3 g

## PACKAGE CONTENTS

Homematic IP Switch Actuator for DIN rail mount – 4 channels  
User manual